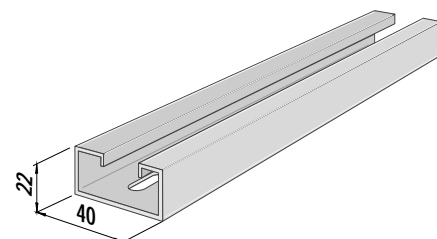


Elnr. EAN nr. Dim.  
3837+ 5703796+

021.149	021.147	200mm
021.165	021.161	300mm
021.181	021.185	400mm
021.204	021.208	500mm
021.246	021.246	700mm
021.262	021.260	800mm
021.288	021.284	900mm
021.301	021.307	1000mm
021.356	021.352	1500mm
021.408	021.406	2000mm
021.505	021.505	3000mm
021.806	021.802	6000mm

### WALL CHANNEL 22V

Dimensions 22x40mm with fixing holes 10x22mm dispersed over the whole length at 50mm centerdistance:  
It is designed for mounting of our cantilever type KBS with a T-bolt. This cantilever can support cable trays and cable ladders equally well, but it can also be used in conjunction with our cable-cleats type H for mounting of heavy cables.  
Hot dip galvanized according to DS/EN ISO 1461



026.209	026.203	500mm
026.306	026.302	1000mm
026.403	026.401	2000mm
026.500	026.500	3000mm
026.801	026.807	6000mm

### LIGHT WALL CHANNEL LV.

as wall channel 22V  
Sendzimir galvanized

020.991 020997

### PROTECTION CAP FOR LLO/LV/22V

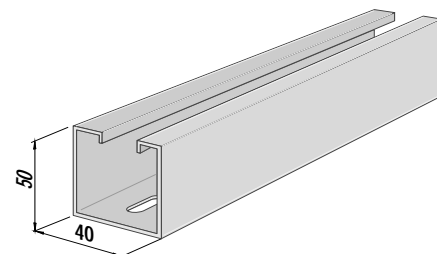
PE yellow



041.145	141.145	200mm
041.161	041.169	300mm
041.187	041.183	400mm
041.200	041.206	500mm
041.226	041.220	600mm
041.242	041.244	700mm
041.268	041.268	800mm
041.284	041.282	900mm
041.307	041.305	1000mm
041.323	041.329	1200mm
041.352	041.350	1500mm
041.365	041.367	1600mm
041.404	041.404	2000mm
041.446	041.442	2400mm
041.501	041.503	3000mm
041.802	041.800	6000mm

### WALL CHANNEL 50V

Dimensions 50x40mm with fixing holes 10x22mm dispersed over the whole length at 50mm centerdistance:  
It is designed for mounting of our cantilever type KBS with a T-bolt. This cantilever can support cable trays and cable ladders equally well, but it can also be used in conjunction with our cable-clamps type H for mounting of heavy cables.  
Hot dip galvanized according to DS/EN ISO 1461



040.997 040.995

### PROTECTION CAP FOR ELO/50V

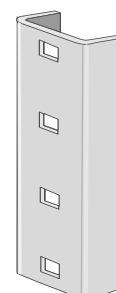
PE yellow

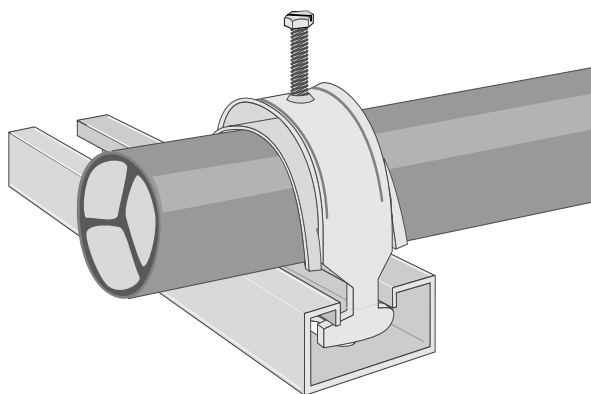
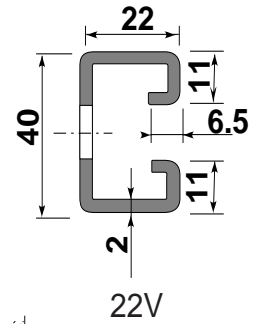
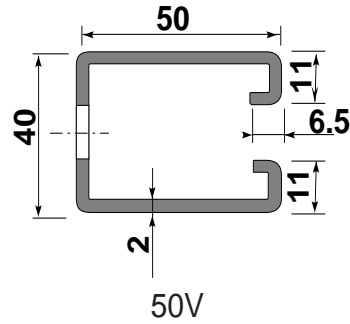
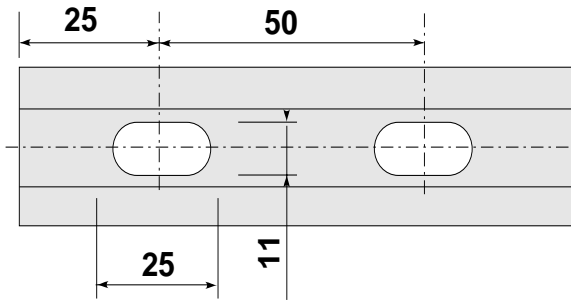


030.017 030.019

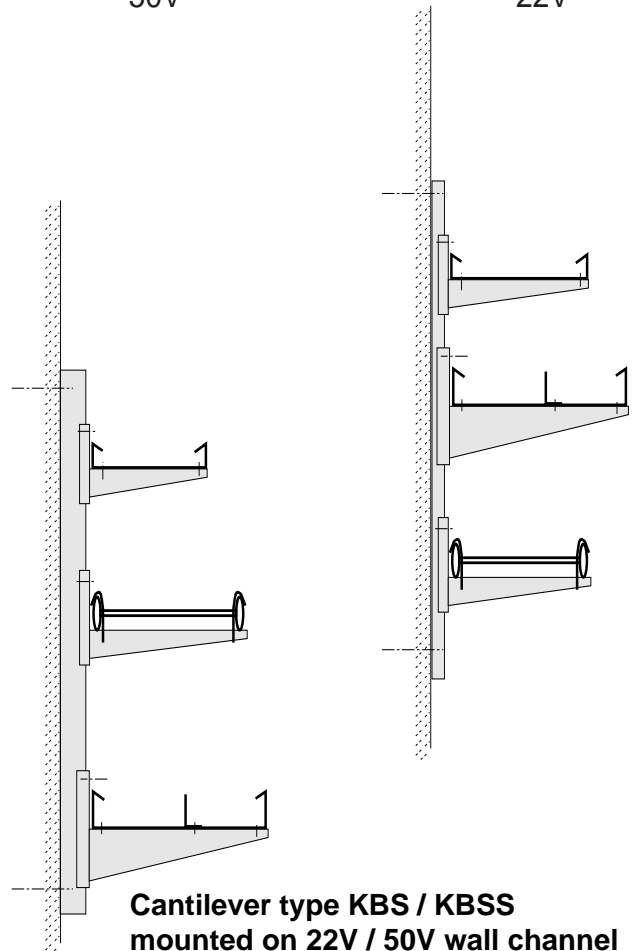
### FISHPLATE FOR 22V / LV / 50V

normally to be used in connection with 4 t-bolt  
Hot dip galvanized according to DS/EN ISO 1461

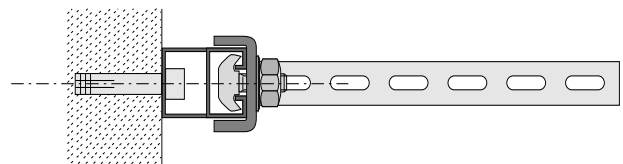




**Cable clamp type H mounted on a wall channel type 22V**



**Cantilever type KBS / KBSS mounted on 22V / 50V wall channel**

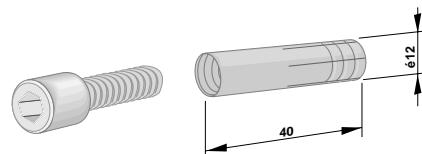


**Cantilever mounted with a T-bolt on 22V / 50V wall channel**

El nr. EAN nr.  
3839+ 5703796+ Dim.

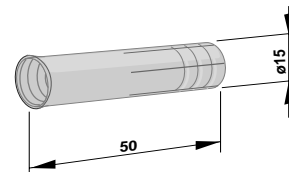
020.106 020.102 M10x20

**EXPANSION-SET**  
1 M10x20 mountingbolt and  
1  $\phi$ 10x40mm contact dowel



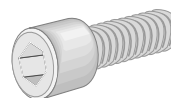
050.224 050246 12mm

**CONTACT DOWEL**  
 $\phi$ 12x 50mm



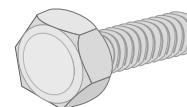
020.203 020201 M12 x20

**MOUNTING BOLT**  
M12x 20mm.



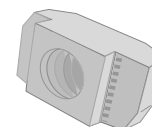
020.339 020.331 M12x25

**MOUNTING BOLT**  
M12X25mm  
normally to be used in connection with  
 $\phi$ 12x 50 mm contact dowel



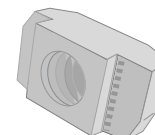
020.164 020164 10mm

**CHANNEL NUT 40/22 FZV.**



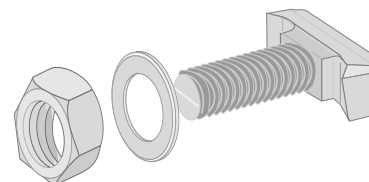
020.261 020263 12mm

**CHANNEL NUT 40/22 FZV.**



040.306 040308 M12x30

**T-BOLT Delta**  
M12x30mm incl. nut & washer



110.155 110.155 M10x20

**MOUNTING BOLT Delta**  
M10x20mm.  
normally to be used in connection with  
channel nut 10mm and contact dowel 10mm

