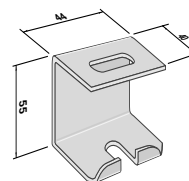
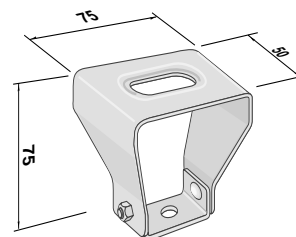


Elnr. **EAN nr.**
3837+ **5703796+** **Dim.**

000.801 000.807 **CEILING BOW TYPE OPL**
 to be used on a horizontal ceiling.
 max. load 100 kg.
 11x22mm fixing hole



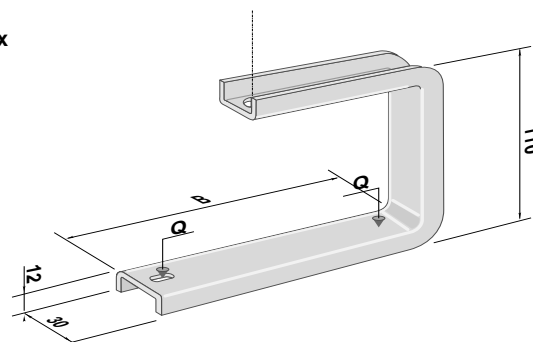
000.908 000.906 **CEILING BOW TYPE OP**
 to be used on a horizontal ceiling
 or a sloping ceiling
 max. load 200kg.
 Fixing hole:14x30mm



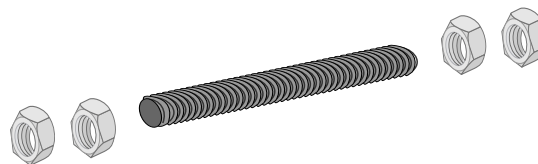
003.057 003.051 50mm
 003.073 003.075 70mm
 003.109 003.105 100mm
 003.138 003.136 150mm
 003.141 003.143 200mm
 003.167 003.167 300mm

CHANNEL HANGER TYPE Z
 The open side allows for convenient
 cable placement
 To be used with a suspension rod
 M10 or direct on ceiling

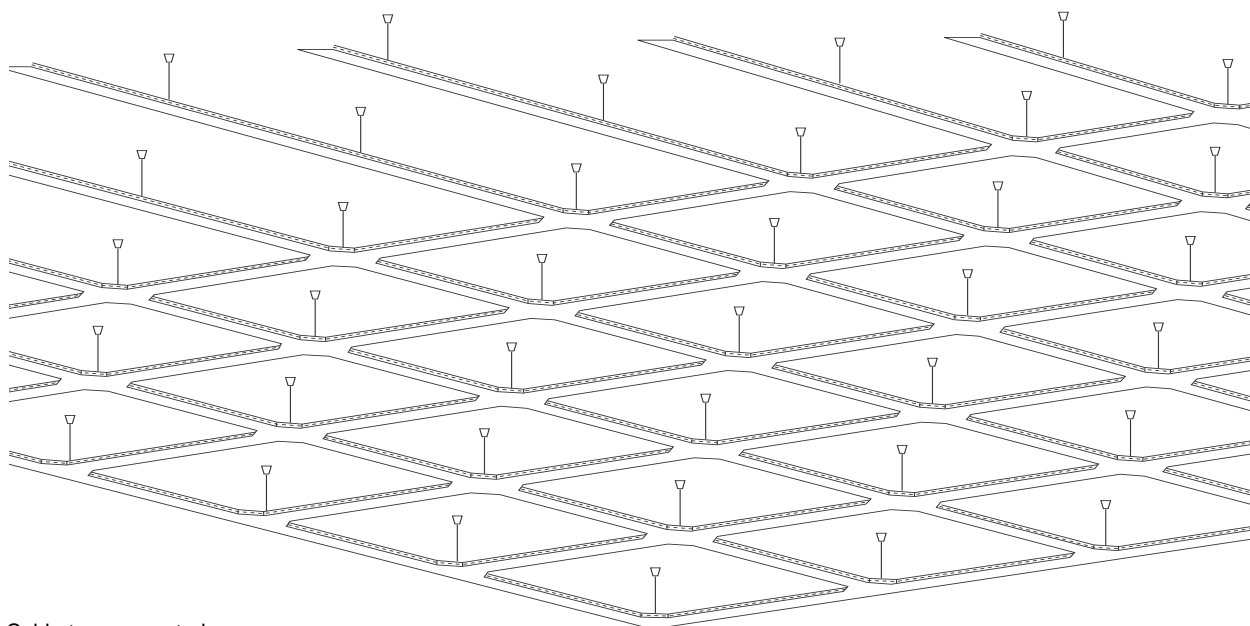
Q max
 99
 66
 44
 28
 20
 13



SUSPENSION ROD M10 fzb.		SUSPENSION ROD M10 DELTA		Dim.
EI nr. 3839+	EAN nr. 5703796+	EI nr. 3839+	EAN nr. 5703796+	
		004.106	004.102	100mm
		004.135	004.133	150mm
		004.148	004.140	200mm
		004.151	004.157	250mm
		004.164	004.164	300mm
		004.177	004.171	350mm
		004.180	004.188	400mm
		004.193	004.195	450mm
		004.203	004.201	500mm
		004.216	004.218	550mm
		004.229	004.225	600mm
		004.232	004.232	650mm
001.303	001.309	004.300	004.300	1000mm
				1500mm
001.400	001.408	004.407	004.409	2000mm
001.507	001.507			3000mm



Supplied with 4 nuts

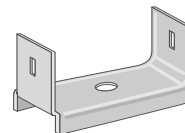


Cable tray supported
by OP / OPL and suspension rod

El nr.	EAN nr.	Dim.
3837+	5703796+	

005.055	005.055	50mm
005.071	005.079	70mm
005.107	005.109	100mm
005.136	005.130	150mm
005.149	005.147	200mm
005165	005.161	300mm

CENTER SUPPORT TYPE I
to be used inside a cable tray
in connection with a suspension rod
or wire, fixing hole $\varnothing 11\text{mm}$
Sendzimir galvanized.



(3839+)

000.061	000.067	6 mm
---------	---------	------

SUPPORT HOOK
To be used with center support
and wire

110.050	110.353	50 mm
110.076	110.377	70 mm

U-FISHPLATE
Sendzimir galvanized.

