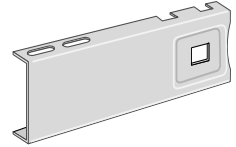


El nr. 3837+
EAN nr. 5703796+
Dim.

Cantilevers are Hot Dip galvanized according to DS/EN ISO 1461. except KBUL which is sendzimir galvanized

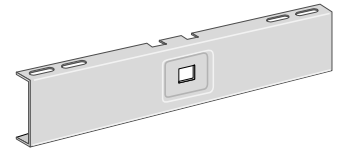
073.058	073.054	50mm
073.074	073.078	70mm
073.100	073.108	100mm
073.139	073.139	150mm
073.142	073.146	200mm
073.168	073.160	300mm
073.184	073.184	400mm

CANTILEVER KBL
KBL is for normal load conditions without point or person load
Used with pendant LLO



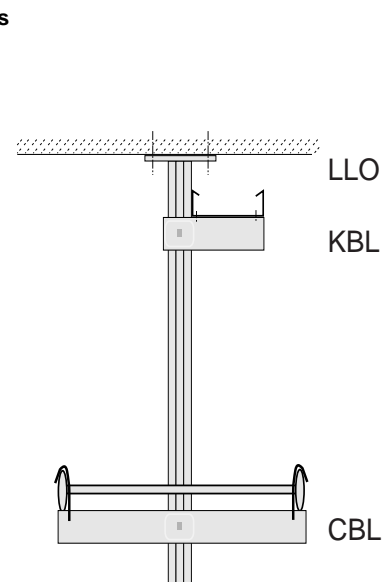
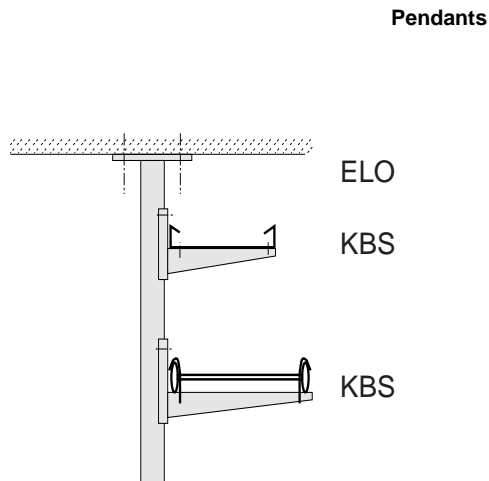
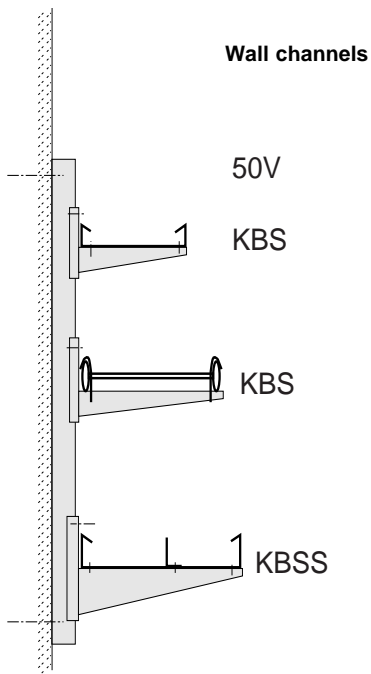
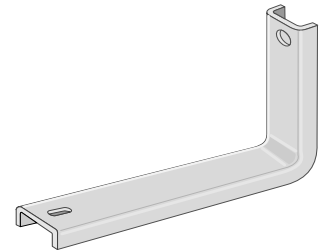
075.108	075.102	100mm
075.137	075.133	150mm
075.140	075.140	200mm
075.166	075.164	300mm
075.182	075.188	400mm
075.205	075.201	500mm
075.221	075.225	600mm

CANTILEVER CBL
CBL is fixed to the pendants LLO below the cable ladder with the ladder fixed at each end of the cantilever



071.050	071.050	50mm
071.076	071.074	70mm
071.102	071.104	100mm
071.131	071.135	150mm
071.144	071.142	200mm
071.160	071.166	300mm

CANTILEVER AE
AE can be used for normal load conditions



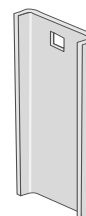
Elnr. **EAN nr.**
3837+ **5703796+** **Dim.**

Cantilevers are Hot Dip galvanized according to DS/EN ISO 1461. except KBUL which is sendzimir galvanized

080.902 080.908

BACK PLATE BP

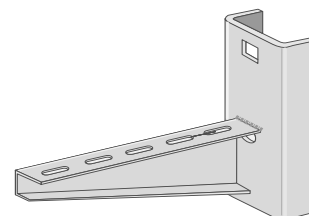
Back plate BP is used where KBS cantilevers are placed directly on walls



081.105 081.103 100mm
 081.134 081.134 150mm
 081.147 081.141 200mm
 081.150 081.158 250mm
 081.163 081.165 300mm
 081.176 081.172 350mm
 081.189 081.189 400mm
 081.192 081.196 450mm
 081.202 081.202 500mm
 081.215 081.219 550mm
 081.228 081.226 600mm
 081.231 081.233 650mm

CANTILEVER KBS

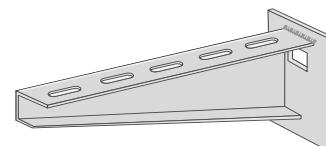
Cantilever KBS is designed for a cable load af 3,5 kg/cm (length of cantilever) + incidental load of 90 kg at the end of the cantilever arm



82.104 082.100 100mm
 82.133 082.131 150mm
 82.146 082.148 200mm
 82.159 082.155 250mm
 82.162 082.162 300mm
 82.188 082.186 400mm
 82.201 082.209 500mm
 82.227 082.223 600mm

CANTILEVER KBU

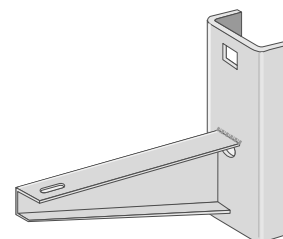
Cantilever KBU is designed for a cable load af 3,5 kg/cm (length of cantilever) + incidental load of 90 kg at the end of the cantilever arm



084.102 084.104 100mm
 084.131 084.135 150mm
 084.144 084.142 200mm
 084.157 084.159 250mm
 084.160 084.168 300mm
 084.186 084.180 400mm
 084.209 084.203 500mm
 084.212 084.210 550mm
 084.225 084.227 600mm

CANTILEVER KBSS

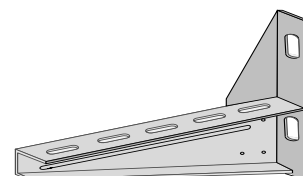
Cantilever KBSS is designed for a cable load af 3,5 kg/cm (length of cantilever) + incidental load of 250 kg at the end of the cantilever arm

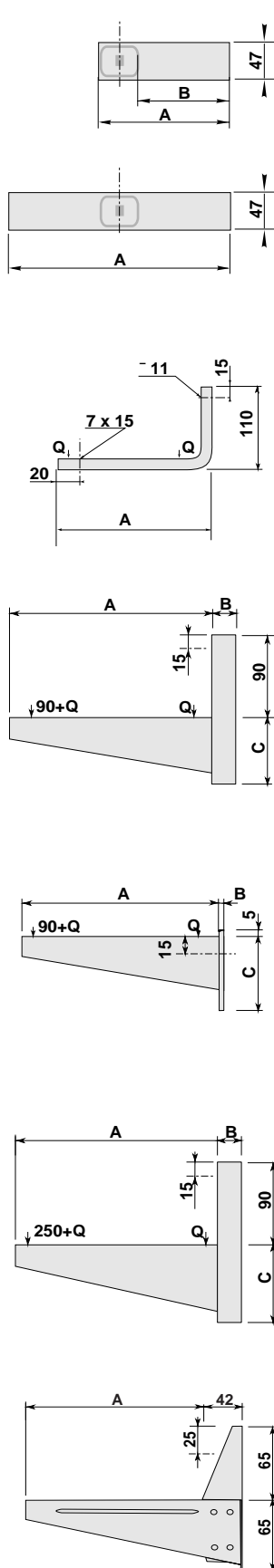
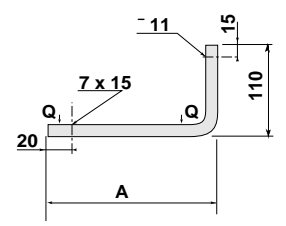
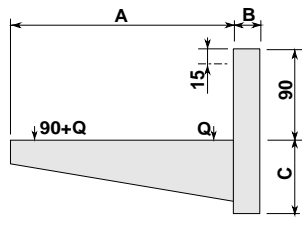
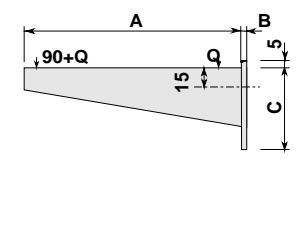
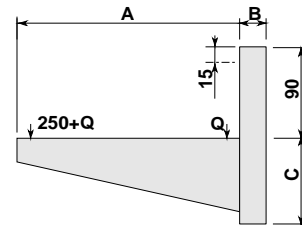
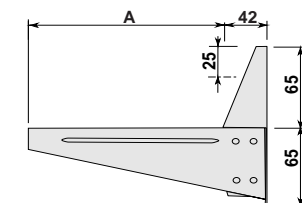


085.130 085.132 150 mm
 085.143 085.149 200 mm
 085.156 085.156 250 mm
 085.169 085.163 300 mm

LIGHT CANTILEVER KBUL

KBUL is used with cabletray L51
The cantilever is mounted directly on a wall



Dim.	KBL	CBL	Q max		KBL og CBL
	A mm	A mm	kg		
50	100	-	100		
70	120	-	100		
100	150	100	100		
150	200	150	90		
200	250	200	90		
300	350	300	90		
400	450	400	70		
500	-	500	70		
600	-	600	70		
	A mm		Q max kg		AE
50	67		99		
70	87		66		
100	117		44		
120	137		36		
150	167		28		
200	217		20		
300	317		13		
	A mm	B mm	C mm	Q max kg	KBS
100	100	22	45	17	
150	150	22	50	26	
200	200	22	50	35	
250	250	22	50	43	
300	300	22	72	52	
400	400	22	77	70	
500	500	24	95	87	
600	600	24	90	105	
	A mm	B mm	C mm	Q max kg	KBU
100	100	3	55	17	
150	150	3	55	26	
200	200	3	55	35	
250	250	3	55	43	
300	300	5	70	52	
400	400	5	95	70	
500	500	5	95	87	
600	600	5	95	105	
	A mm	B mm	C mm	Q max kg	KBSS
100	100	24	47	17	
150	150	24	62	26	
200	200	24	77	35	
250	250	24	77	43	
300	300	25	90	52	
400	400	26	77	70	
500	500	27	97	87	
600	600	27	97	105	
	A mm			Q max kg	KBUL
150	150			17	
200	200			26	
250	250			35	
300	300			43	